

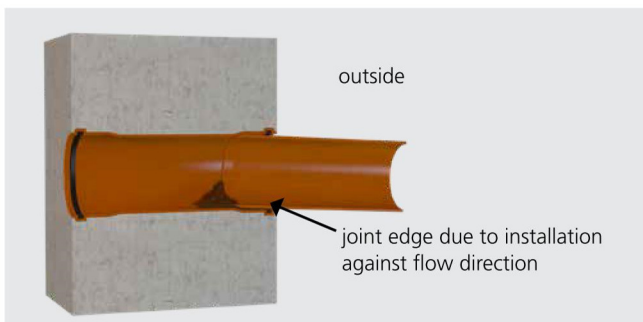
WALL ENTRIES

UNIVERSAL WALL ENTRY WITHOUT JOINT EDGE

Features and technical data:

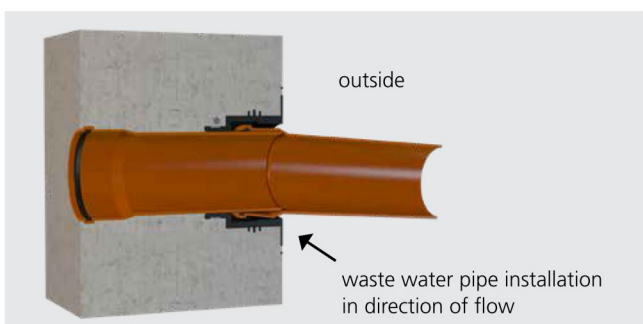
- waterproof concrete stress class 1, stress class 2
- DIN 18533 W1.1-E, W1.2-E, W2.1-E
- blind seal ready for installation, watertight up to 1 bar straight after concreting
- KIWA approved
- can be installed easily and quickly on site
- easy on site adjustment to required wall thickness (UDM)
- pre-assembled according to wall thickness (UDM/X)
- available for KG and KG 2000 pipes, OD 110 and 160 mm
- for installation flush with the formwork, no interruption of the flow direction (see graphic)
- with integrated patch flange for the processing of polymer modified bituminous thick coatings

Conventional wall entry



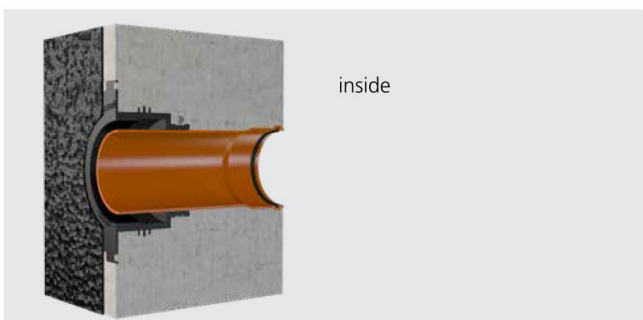
With conventional wall entries with double plug-in sleeves, the "flow of direction" is interrupted by the insert of the pointed end of the KG pipe on the outside of the buildings. In the case of slight settlement, which cannot be entirely ruled out in the working area, this forms a "joint edge". The result: deposits form on the edge which, over an extended period of time, can lead to a blockage in the waste water system.

Universal wall entry UDM by Hauff-Technik




Thanks to the design of the UDM, there is no interruption in the flow direction. A "joint edge" does not develop if slight settlements occur which cannot be entirely eliminated in the area around the working space. The result: no deposits can build up, drainage is not affected.

Universal wall entry UDM in a concreted wall with outer sealing




The integrated patch flange allows simple application of surface seals according to DIN 18533 up to load case W2.1-E. No elaborate application of a chamfer is therefore required.

WALL ENTRIES

UDM – UNIVERSAL WALL ENTRY						
Figure	Suitable for diameter OD (mm)	Wall thickness (mm)	Article code	Pieces in packing unit	Article number	GTIN
Universal wall entry without waste water pipe						
	110	ab 200	UDM100	1	3030300188	4052487215527
				24		4052487220613
	160	ab 240	UDM150	1	3030300204	4052487215688
				5		4052487220774

Lieferumfang: Gummimanschette (EPDM), Stahlspannband, Anspachtelflansch mit Blinddeckel zum Einschlagen, Verschlussdeckel

Universal wall entry with waste water pipe						
	110	200	UDM100/200 KG	1	3030300189	4052487215534
				8		4052487220620
		240	UDM100/240 KG	1	3030300191	4052487215558
				8		4052487220644
		250	UDM100/250 KG	1	3030300193	4052487215572
				8		4052487220668
		300	UDM100/300 KG	1	3030300195	4052487215596
				8		4052487220682
		365	UDM100/365 KG	1	3030300198	4052487215626
				8		4052487220712
		400	UDM100/400 KG	1	3030300200	4052487215640
				8		4052487220736
	500	UDM100/500 KG	1	3030300202	4052487215664	
			8		4052487220750	
	160	240	UDM150/240 KG	1	3030300205	4052487215695
				5		4052487220781
		250	UDM150/250 KG	1	3030300207	4052487215718
				5		4052487220804
		300	UDM150/300 KG	1	3030300210	4052487215749
				5		4052487220835
		365	UDM150/365 KG	1	3030300213	4052487215770
				5		4052487220866
		400	UDM150/400 KG	1	3030300215	4052487215794
				5		4052487220880
500		UDM150/500 KG	1	3030300217	4052487215817	
			5		4052487220903	

Scope of delivery: rubber sleeve (EPDM), clamping strap, patch flange with blind plate to be knocked out, closing cover, waste water pipe OD 110 or 160 (pre-assembled)

Waste water entries

WALL ENTRIES

UDM – UNIVERSAL WALL ENTRY						
Figure	Suitable for diameter OD (mm)	Wall thickness (mm)	Article code	Pieces in packing unit	Article number	GTIN
Universal wall entry with KG 2000 pipe						
	110	200	UDM100/200 KG2000	1	3030300190	4052487215541
				8		4052487220637
		240	UDM100/240 KG2000	1	3030300192	4052487215565
				8		4052487220651
		250	UDM100/250 KG2000	1	3030300194	4052487215589
				8		4052487220675
		300	UDM100/300 KG2000	1	3030300196	4052487215602
	8			4052487220699		
	365	UDM100/365 KG2000	1	3030300199	4052487215633	
			8		4052487220729	
	400	UDM100/400 KG2000	1	3030300201	4052487215657	
			8		4052487220743	
	500	UDM100/500 KG2000	1	3030300203	4052487215671	
			8		4052487220767	
160	240	UDM150/240 KG2000	1	3030300206	4052487215701	
			5		4052487220798	
	250	UDM150/250 KG2000	1	3030300208	4052487215725	
			5		4052487220811	
	300	UDM150/300 KG2000	1	3030300211	4052487215756	
			5		4052487220842	
	365	UDM150/365 KG2000	1	3030300214	4052487215787	
			5		4052487220873	
	400	UDM150/400 KG2000	1	3030300216	4052487215800	
			5		4052487220897	
	500	UDM150/500 KG2000	1	3030300218	4052487215824	
			5		4052487220910	