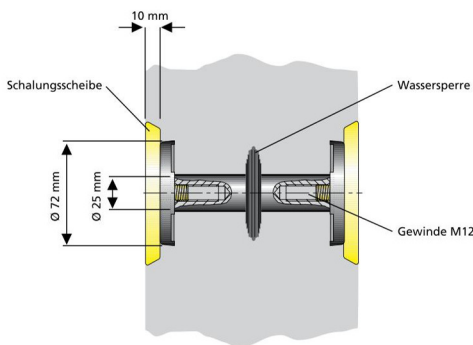


EARTHING ENTRIES

EARTHING ENTRY

Features and technical data:

- waterproof concrete stress class 1, stress class 2
- conductor core diameter 25 mm with a threaded connection on both sides M12, made of stainless steel A4 (AISI 316L), HEA > 200 mm also available with connecting thread M16
- pressure-tight water barrier (profiled rubber flange, NBR)
- contact plate diameter 72 mm made of stainless steel A4 (AISI 316L)
- protective covers made of PE with four nail holes
- conductor core for HEA > 200 mm connection via M16 bolts, galvanized
- no twisting after installation in concrete
- according to DIN 18014, DIN EN 62305-3 VDE 0185-305-3 (with lightning protection)



e.g. HEA M12/100

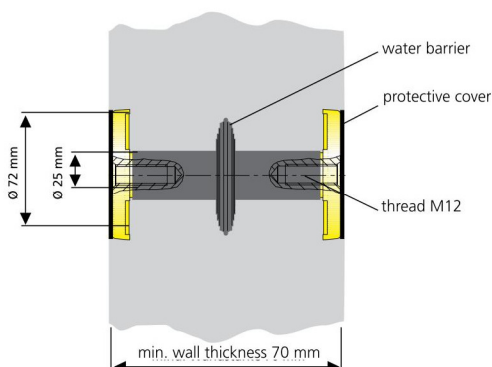


e.g. HEA M12/240

INSULATED EARTHING ENTRY

Features and technical data:

- waterproof concrete stress class 1, stress class 2
- conductor core diameter 25 mm with a threaded connection on both sides M12, made of stainless steel A2 (AISI 304L)
- pressure-tight water barrier (profiled rubber flange, EPDM)
- contact plate diameter 72 mm made of stainless steel A4 (AISI 316L)
- with protective cover
- minimum wall thickness HEA IS: max. 70 mm
- according to VDE 0101, EN 50522
- short-circuit tested (with lightning protection)



e.g. HEA IS M12/100

Extra

EARTHING ENTRIES

HEA M – ENTRY FOR EARTHING IN CONCRETE			
Item	Article code	Article number	GTIN
Entry for earthing connections made of stainless steel A4 (AISI 316L), connection M 12 on both sides, with water barrier and protective foils, for wall thickness 70 mm	HEA M12/70	1700010070	4052487044479
Entry for earthing connections made of stainless steel A4 (AISI 316L), connection M 12 on both sides, with water barrier and protective covers, for wall thickness 100 mm	HEA M12/100	1700010100	4052487044493
Entry for earthing connections made of stainless steel A4 (AISI 316L), connection M 12 on both sides, with water barrier and protective covers, for wall thickness 150 mm	HEA M12/150	1700010150	4052487044509
Entry for earthing connections made of stainless steel A4 (AISI 316L), connection M 12 on both sides, with water barrier and protective covers, for wall thickness 200 mm	HEA M12/200	1700010200	4052487044516
Entry for earthing connections made of stainless steel A4 (AISI 316L), connection M 12 on both sides, with water barrier and protective covers, available for wall thicknesses 210 – 500 mm	X = wall thickness (mm) HEA M12/X	on request	on request
Entry for earthing connections made of stainless steel A4 (AISI 316L), connection M 16 on both sides, with water barrier and protective covers, available for wall thicknesses 210 – 500 mm	HEA M16/200	1700020020	4052487044530

Increments of 10 mm possible

HEA IS M12 – INSULATED EARTHING ENTRY FOR SUBSTATION			
Item	Article code	Article number	GTIN
Insulated feedthrough for earthing connections made of stainless steel A4 (AISI 316L), connection M12 on both sides, with water barrier and protective cover (HEA IS M12) for wall thickness 100 mm	HEA IS M12/100	1710020100	4052487045308
Insulated feedthrough for earthing connections made of stainless steel A4 (AISI 316L) connection M12 on both sides, with water barrier and protective cover (HEA IS M12) for wall thickness 150 mm	HEA IS M12/150	1710020150	4052487045360
Insulated feedthrough for earthing connections made of stainless steel A4 (AISI 316L) connection M12 on both sides, with water barrier and protective cover (HEA IS M12) for wall thickness 200 mm	HEA IS M12/200	1710020156	4052487045384
Insulated feedthrough for earthing connections made of stainless steel A4 (AISI 316L) connection M12 on both sides, with water barrier and protective cover (HEA IS M12) for wall thickness 250 mm	HEA IS M12/250	1710020157	4052487045391

Increments of 10 mm possible