

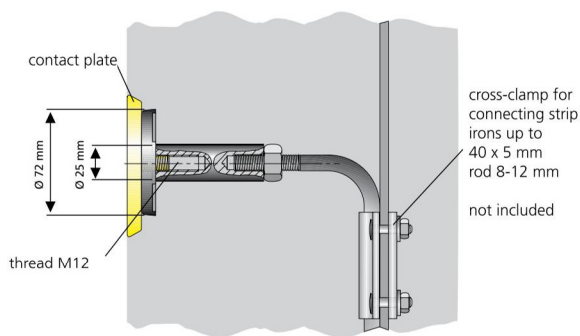
Extra

EARTHING FIXED POINTS

CONNECTION PIECE WITH WELD OR CLAMP CONNECTION

Features and technical data

- waterproof concrete stress class 1, stress class 2
- conductor core, diameter 25 mm with threaded connection M12/M16 made of stainless steel A4 (AISI 316L)
- steel rod diameter 12 mm made of steel St tzn for welded or clamped connection in concrete
- contact plate diameter 72 mm made of stainless steel A4 (AISI 316L)
- protective covers made of PE with four nail holes
- according to DIN 18014, DIN EN 62305-3 VDE 0185-305-3 (with lightning protection)



HEA S M12

Extra

EARTHING FIXED POINTS

HEA S M12/HEA S M16 – FIXED POINT WITH WELD OR CLAMP CONNECTION			
Item	Article code	Article number	GTIN
Connection piece in stainless steel A4 with screw-on steel rod St tzn, diameter 12 mm, connection M12, for weld or clamp connection in concrete	HEA S M12	1700080010	4052487044677
Connection piece in stainless steel A4 with screw-on steel rod St tzn, diameter 12 mm, connection M16, for weld or clamp connection in concrete	HEA S M16	1700080020	4052487044691