

Waste water entries

FLOOR ENTRIES

TUNDISH WITH STEP SAFE INSERT

Features and technical data:

- waterproof concrete stress class 1, stress class 2
- DIN 18533 W1.1-E, soil moisture
- gas-tight and watertight connection to the base slab thanks to integrated 3-ribbed seal
- KIWA approved
- made of radon-tight ABS polymer
- to connect waste water pipes and to compensate tolerances up to 90 mm (after concreting) in each direction between downpipe and floor entry
- saves rectangular recesses and therefore complex follow-up work
- simple on site installation
- including step protection insert according to DGUV 38 §12a
- can be used for base slab drainage during construction phase thanks to integrated dirt trap grooves
- with integrated level for position alignment of the tundish



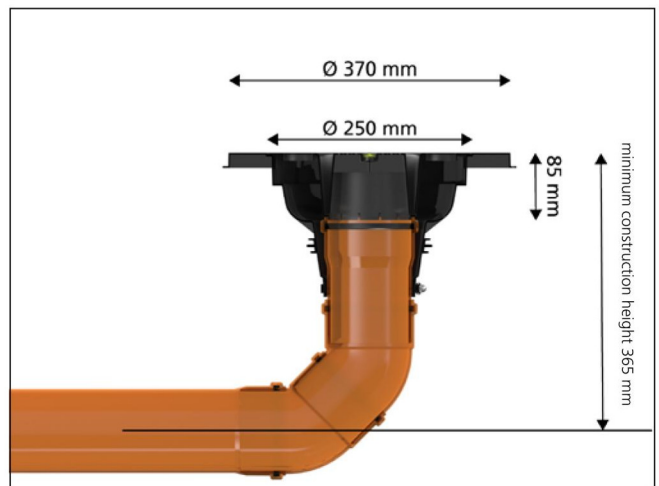
difficulty: retrofit gas-tight and vapour-proof sealing



difficulty: integration of vapour barrier foil




easy integration of the vapour barrier using the adhesive ribbon



Waste water entries

FLOOR ENTRIES

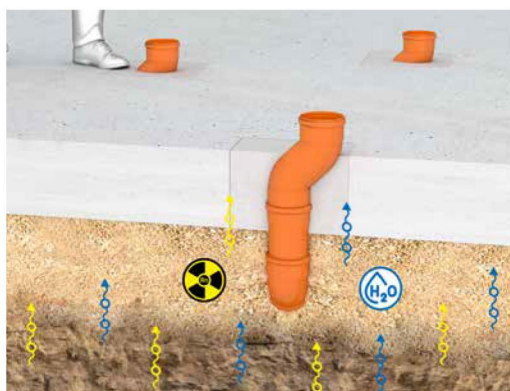
AT110 – TUNDISH

Figure	Suitable for diameter OD (mm)	Type	Article code	Pieces in packing unit	Article number	GTIN
Waste water pipe tundish						
	110	KG/ KG 2000	AT110	1	0827001601	4052487171663
				8		4052487224314
				32		4052487224321

Danger areas when installing without AT110:



please note: danger area, trip hazard



please note: no tight connection between rectangular recess and concrete and between waste water pipe and concrete

Advantages of installation with AT110:



firm underfoot and trip-free



gas-tight and watertight